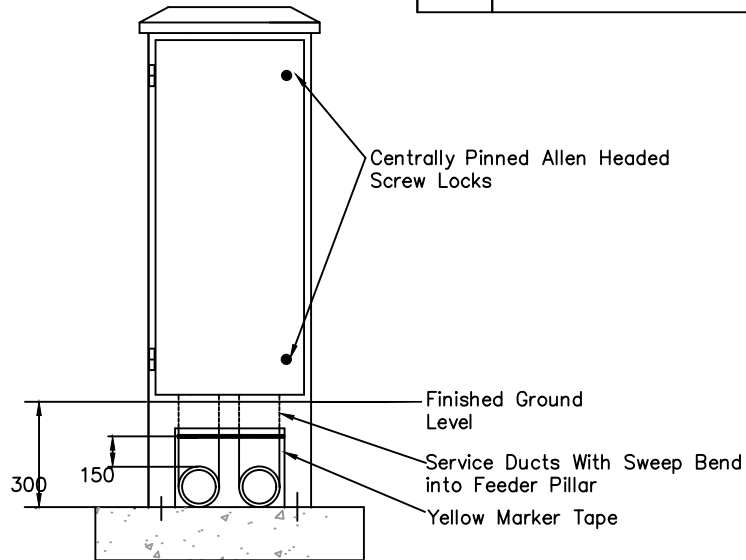
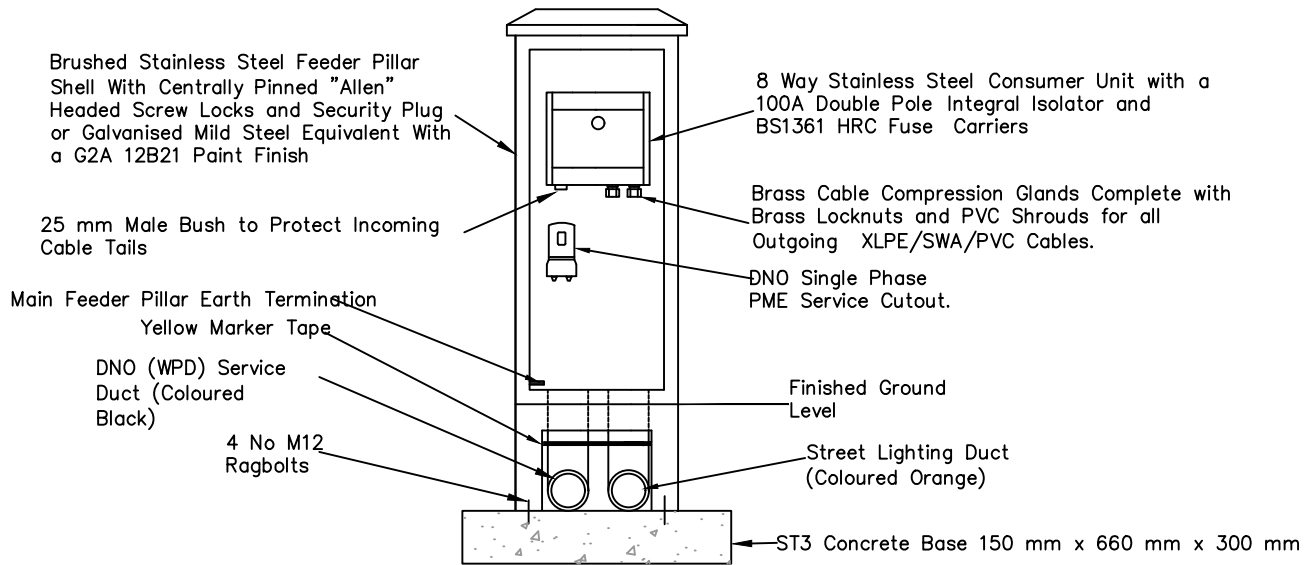


Rev.	Amendments	Date	Made By	Chk'd By



Front Elevation of Feeder Pillar With Door Closed.



Front Elevation of Feeder Pillar with Access Door Removed Showing Details of Internal Switchgear.

NOTES

1. All outgoing cables are to be terminated using brass cable glands and brass locknuts and PVC shrouds. All switchgear is to be attached to feeder pillar backboard with No 8 round headed brass wood screws.
2. All protective conductors connecting pillar shell and distribution board to WPD service cutout shall be a minimum of 10 mm² complying with BS6004 – Ref 6491X.
3. All cable tails between distribution board and WPD service cutout shall be 10 mm² PVC/PVC complying with the requirements of BS6004 Table 6 Ref 6181Y.
4. Feeder pillar finished shall be brushed if stainless steel or if galvanised mild steel G2A 12B 21 applied at manufacturers works.
5. Feeder pillar door to be hinged on stainless steel hinges.

8 WAY STAINLESS STEEL OR GALVANISED FEEDER PILLAR

COMMON STANDARDS FOR WALES
HIGHWAY DESIGN GUIDE

Drawn	MT
Checked	SZ
Date	Feb '20
Scale	N.T.S.
Drg. No.	711
Rev.	