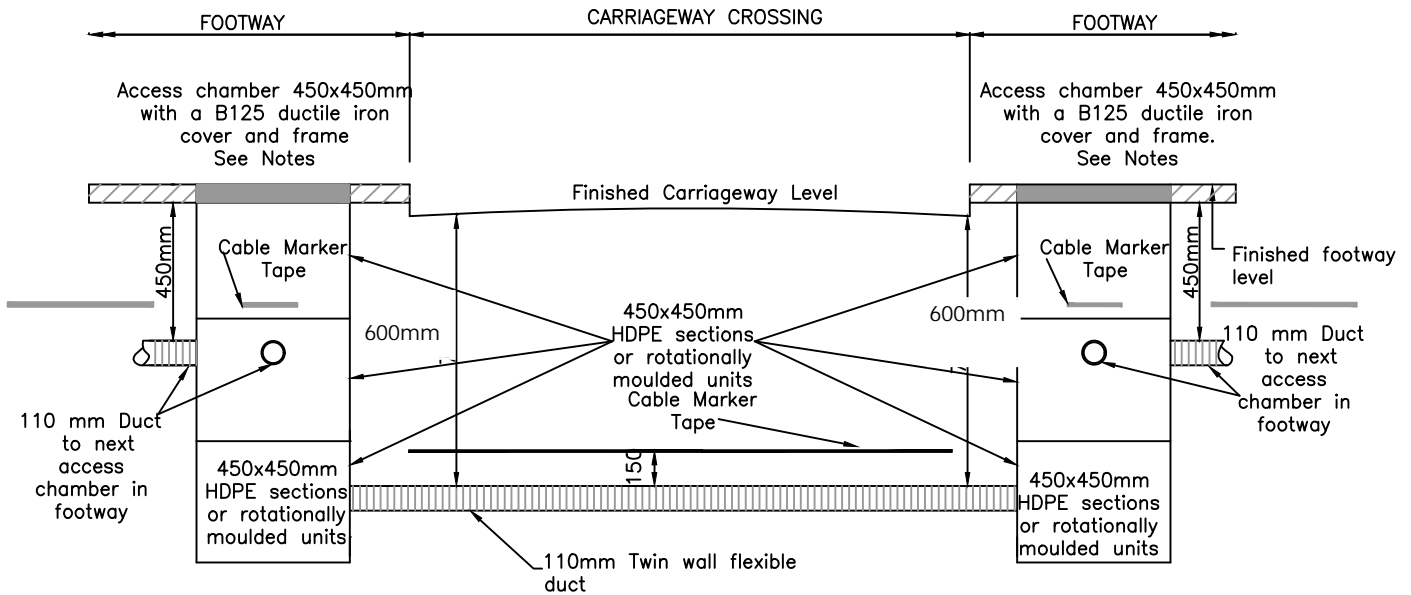


Rev.	Amendments	Date	Made By	Chk'd By



NOTES

1. For residential sites use a 450x450mm BS EN 124, B125, Kite marked ductile iron access covers and frames. Access covers are to be finished black and preferably badged "Street Lighting".
2. A yellow warning tape inscribed "Caution- Street Lighting Cable Below" shall be installed 150 mm above the top of all service ducts after partially backfilling the trench.
3. The access chambers connected to a column should be installed adjacent to the door or cable entry cut out in the column base.
4. The access chambers are to be assembled in sections or installed in complete units.
5. To reach a duct cover depth of 750mm in the carriageway generally three sections are required in the footway. Please see particular Manufactures Specification for details.
6. If for any reason access chambers are installed in the carriageway a 600x600mm, BS EN 124, D400 Kite marked ductile iron access cover and frame is to be used. Each cover is to be Black in colour and preferably badged Street Lighting, access covers are to be mounted on to a 600x600mm access chamber.

CROSS SECTION OF STREET LIGHTING DUCT IN CARRIAGEWAY

COMMON STANDARDS FOR WALES
HIGHWAY DESIGN GUIDE

Drawn	MT
Checked	SZ
Date	Feb '20
Scale	N.T.S.
Drg. No.	715
Rev.	