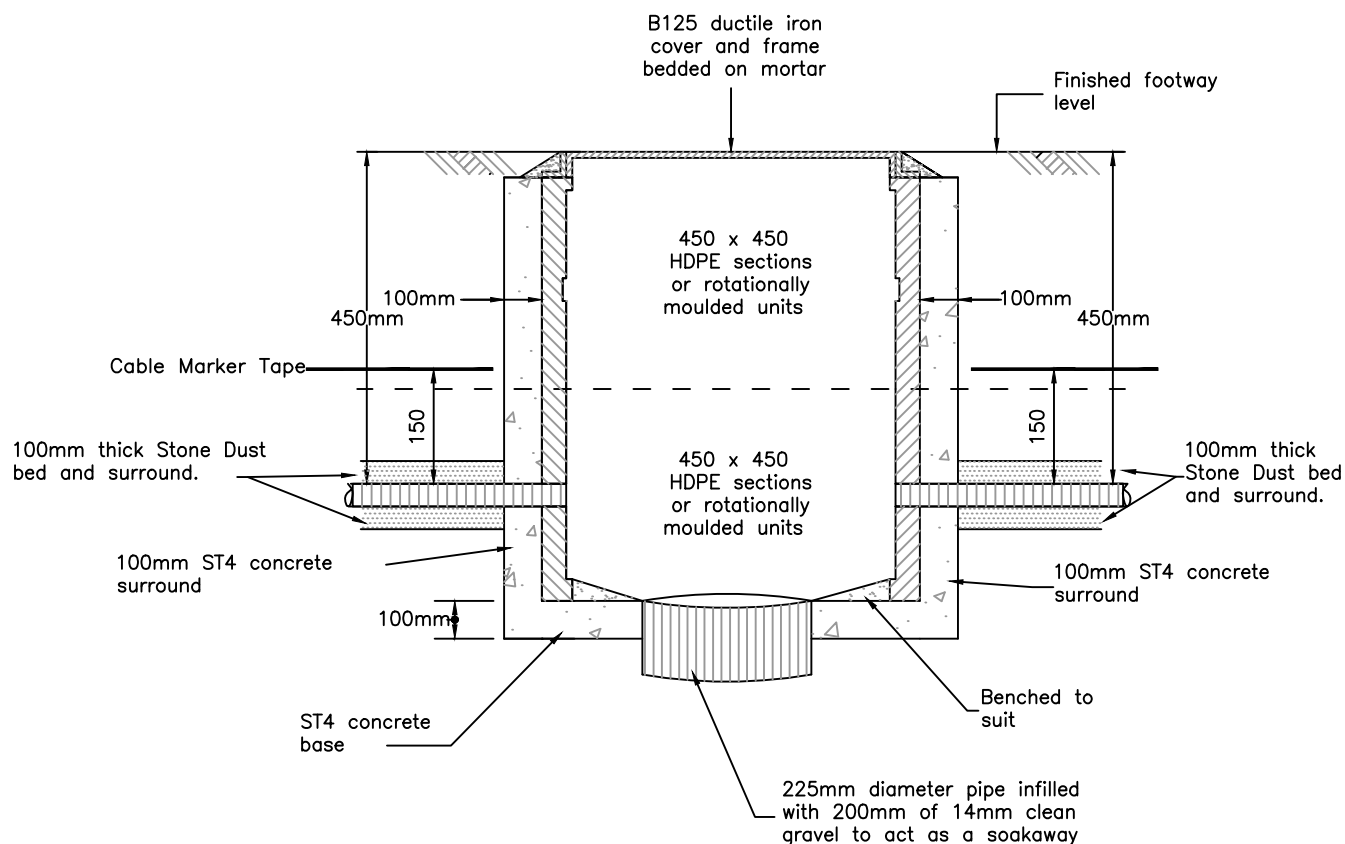


Rev.	Amendments	Date	Made By	Chk'd By



NOTES

1. Generally two access chamber sections will give a duct cover depth of 450mm, please see particular Manufactures details to confirm the number of access chambers required.
2. A yellow warning tape inscribed "Caution – Street Lighting Cables Below" is to installed 150mm above the top of the service ducts after partially backfilling the trench.

ACCESS CHAMBER – STREET LIGHTING DUCT IN FOOTWAY

COMMON STANDARDS FOR WALES
HIGHWAY DESIGN GUIDE

Drawn	MT
Checked	SZ
Date	Feb '20
Scale	N.T.S.
Drg. No.	716
Rev.	