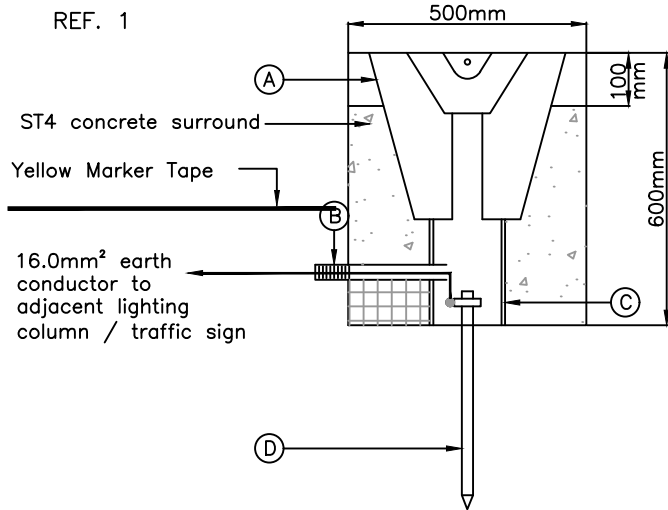
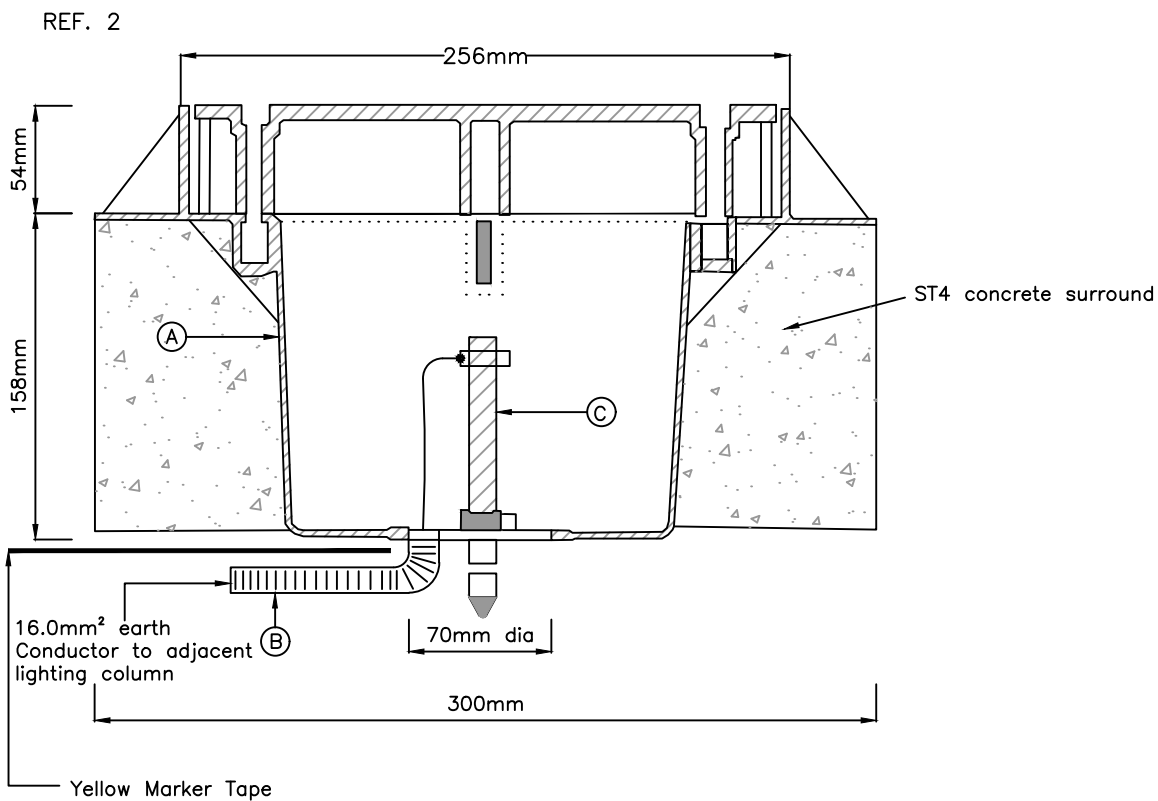


Rev.	Amendments	Date	Made By	Chk'd By



REF.1	DESCRIPTION
A	CONCRETE EARTH ELECTRODE INSPECTION PIT
B	63mm DIAMETER TWINWALL FLEXIBLE DUCT
C	150mm DIAMETER UPVC TUBE
D	EXTENDABLE SOLID COPPER EARTH ELECTRODE 20 mm DIAMETER X 1200 mm LONG AND CLAMP



REF.2	DESCRIPTION
A	LIGHTWEIGHT EARTH ELECTRODE INSPECTION PIT
B	63mm DIAMETER TWINWALL FLEXIBLE DUCT
C	EXTENDABLE SOLID COPPER EARTH ELECTRODE AND CLAMP (1200mm x 20mm)

TOTAL WEIGHT 1.8kg

## EARTH ELECTRODE PIT

COMMON STANDARDS FOR WALES  
HIGHWAY DESIGN GUIDE

Drawn	MT
Checked	SZ
Date	Feb '20
Scale	N.T.S.
Drg. No.	720
Rev.	