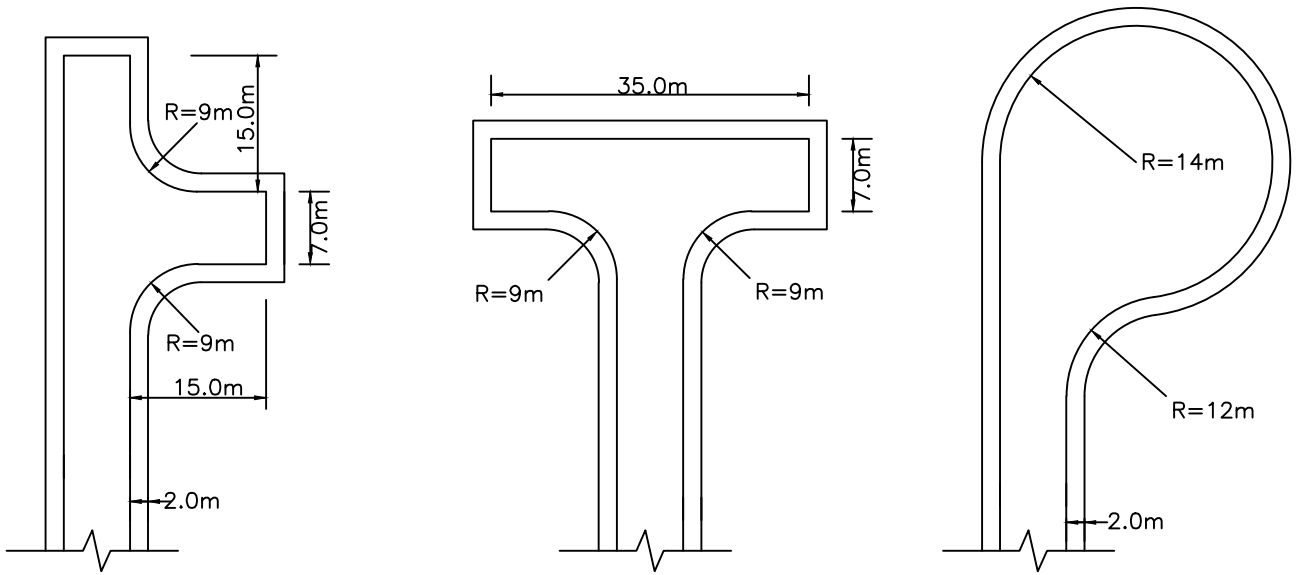
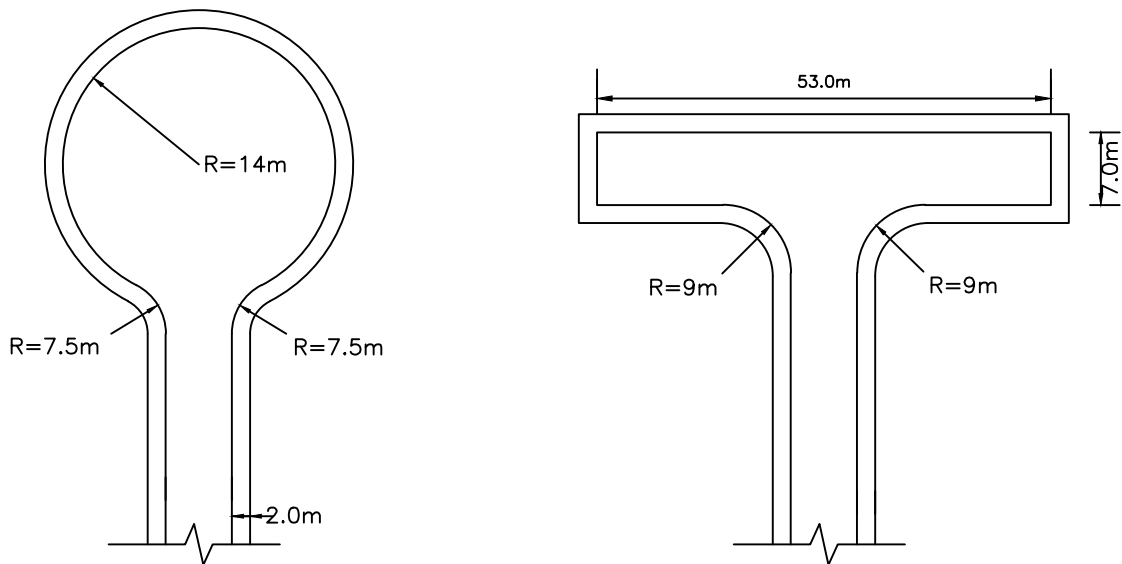


Rev.	Amendments	Date	Made By	Chk'd By



↑ Turning Areas for Rigid Vehicles Only ↑



↑ Turning Areas For Rigid And Articulated Vehicles ↑

NOTES

1. Where no footway or verge adjoins the turning head a 1m margin must be provided to allow for the overhang of turning vehicles.
2. Variations may be proposed as long as a swept path analysis is provided to ensure service and delivery vehicles can turn
3. Drives and accesses must be carefully planned to discourage parking in the turning area reducing its availability.

TURNING AREAS
– INDUSTRIAL AND COMMERCIAL ROADS

COMMON STANDARDS FOR WALES
HIGHWAY DESIGN GUIDE

Drawn	MT
Checked	SZ
Date	Feb '20
Scale	N.T.S.
Drg. No.	103
Rev.	