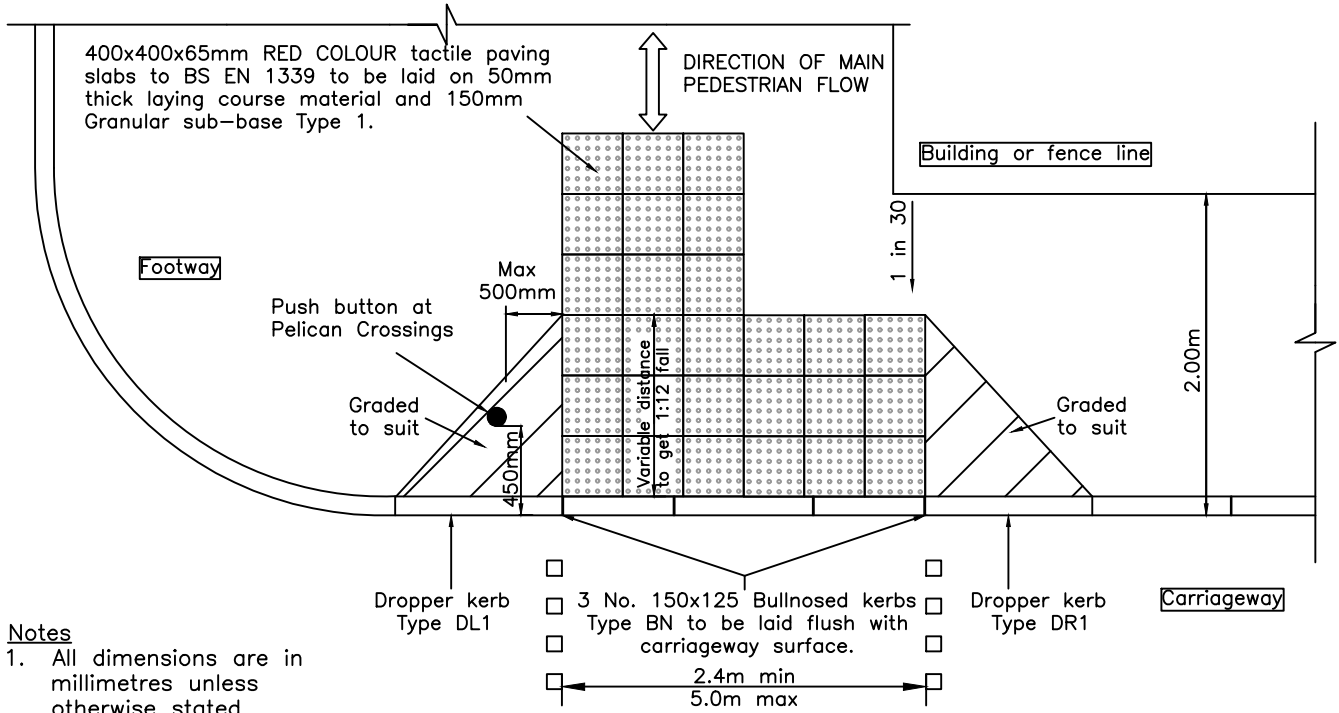
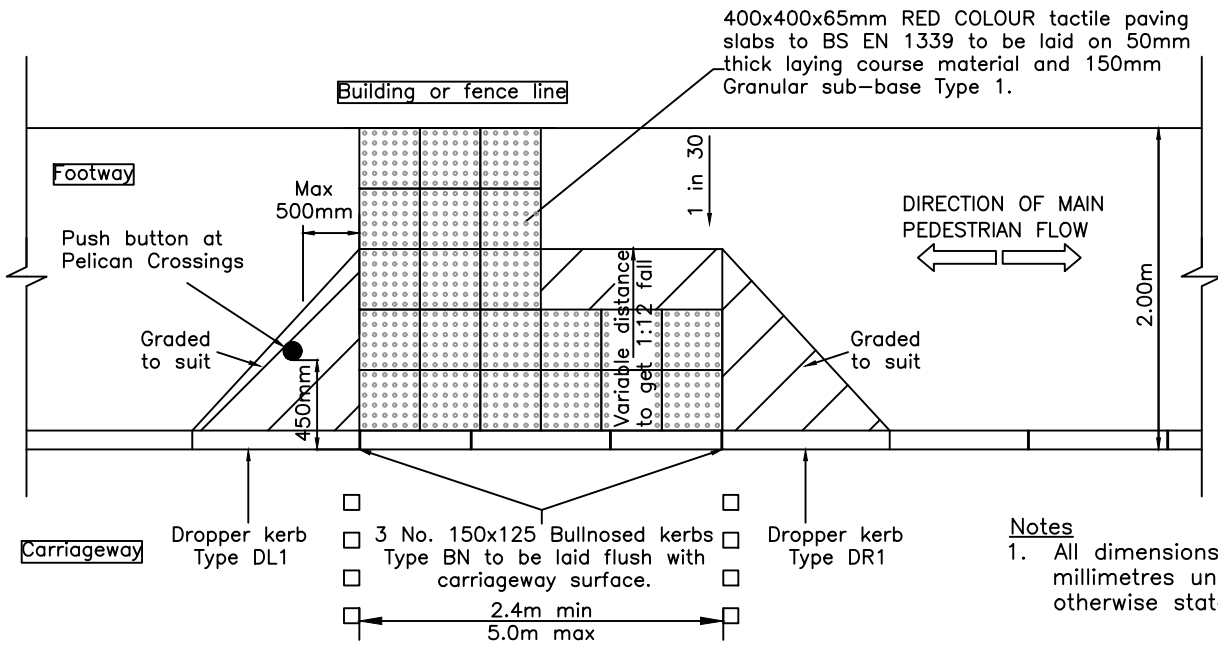


Rev.	Amendments	Date	Made By	Chk'd By



**Notes**  
 1. All dimensions are in millimetres unless otherwise stated.

IN-LINE CONTROLLED CROSSING



**Notes**  
 1. All dimensions are in millimetres unless otherwise stated.

INSET CONTROLLED CROSSING

CONTROLLED PEDESTRIAN CROSSINGS

COMMON STANDARDS FOR WALES  
 HIGHWAY DESIGN GUIDE

Drawn	MT
Checked	SZ
Date	Feb '20
Scale	N.T.S.
Drg. No.	109
Rev.	