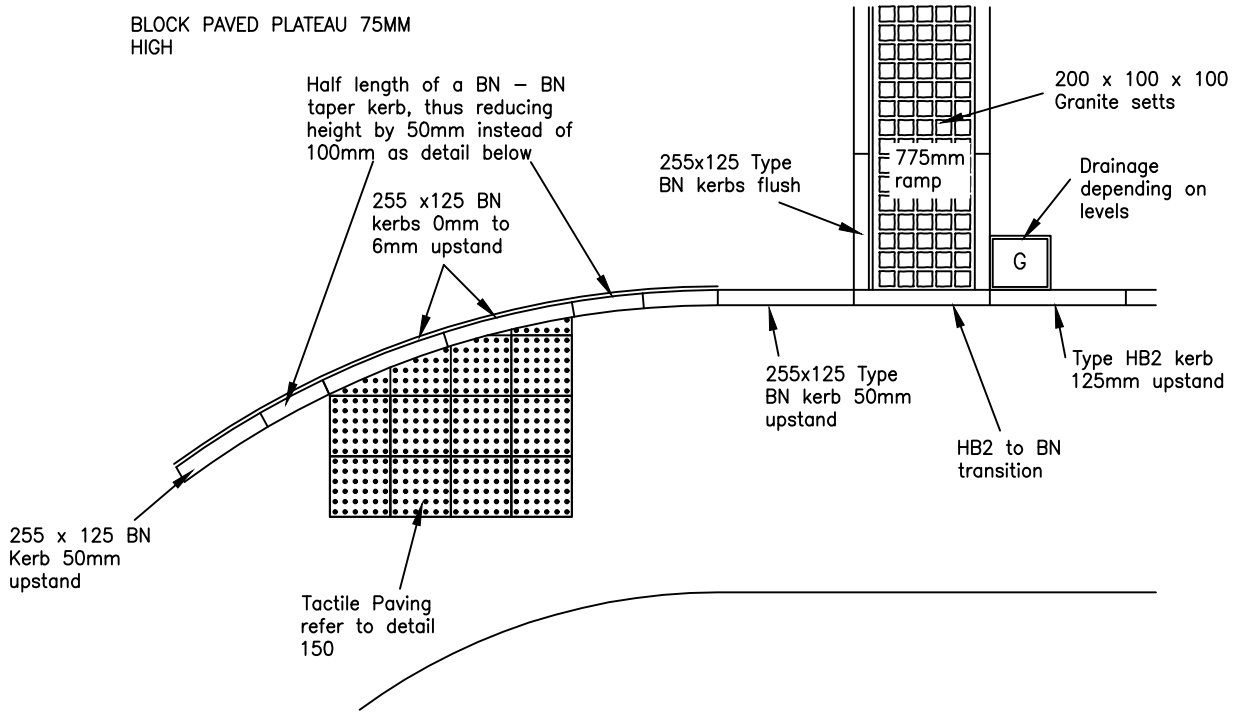
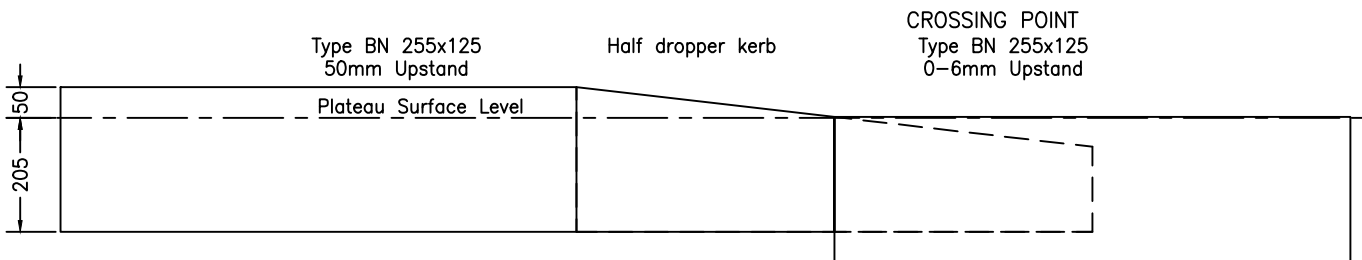
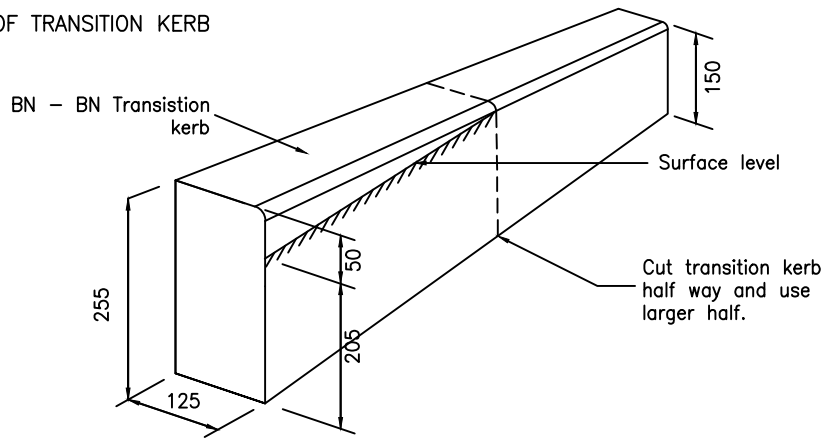


Rev.	Amendments	Date	Made By	Chk'd By

BLOCK PAVED PLATEAU 75MM HIGH



TREATMENT OF TRANSITION KERB



JUNCTION PLATEAU KERBING

COMMON STANDARDS FOR WALES
HIGHWAY DESIGN GUIDE

Drawn	MT
Checked	SZ
Date	Feb '20
Scale	N.T.S.
Drg. No.	112
Rev.	