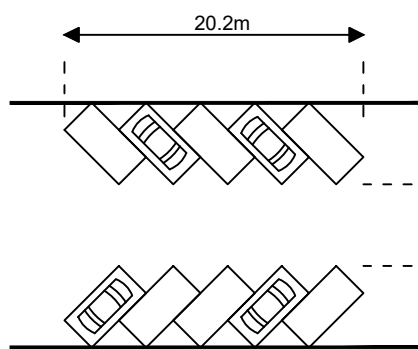
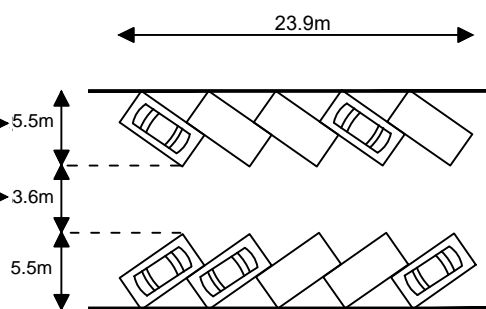


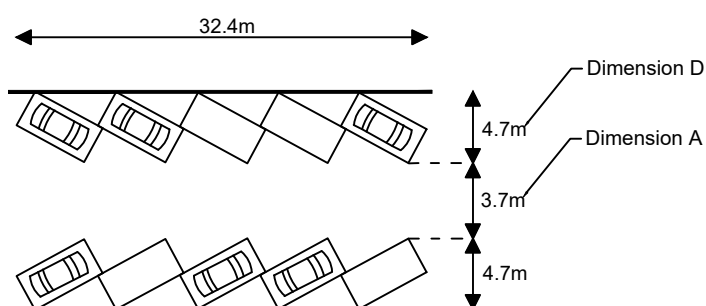
Rev.	Amendments	Date	Made By	Chk'd By



60 Degree Parking



45 Degree Parking



30 Degree Parking

Formation	Dimension D	Dimension A
60 Degree	5.9m	4.2m
45 Degree	5.5m	3.6m
30 Degree	4.7m	3.7m

PARKING ARRANGEMENTS – PUBLIC HIGHWAY

COMMON STANDARDS FOR WALES
HIGHWAY DESIGN GUIDE

Drawn	MT
Checked	SZ
Date	Feb '20
Scale	N.T.S.
Drg. No.	119
Rev.	