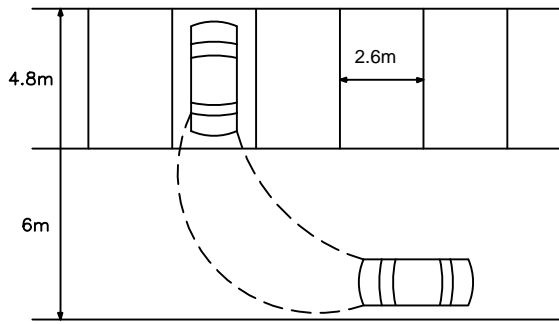
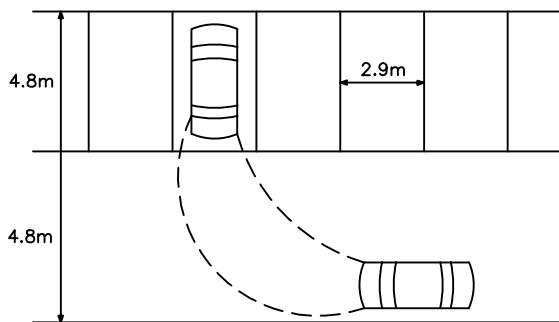


Rev.	Amendments	Date	Made By	Chk'd By



MINIMUM DIMENSIONS FOR STANDARD ARRANGMENT



DIMENSIONS FOR MINIMUM TWO WAY AISLE

LAYOUT AND AISLE WIDTH OF A STANDARD RIGHT ANGLE PARKING BAY

Aisle/Road Width M	Bay Width M	Driveway M
6	2.600	3.600
5.500	2.600	3.600
5.300	2.750	N/A
5.000	2.800	3.600
4.800	2.900	N/A
4.500	2.950	3.600
4.000	3.100	N/A
3.500	3.200	N/A

Aisle Width and Driveway Dimensions

PARKING STANDARDS

COMMON STANDARDS FOR WALES HIGHWAY DESIGN GUIDE

Drawn	MT
Checked	SZ
Date	Feb '20
Scale	N.T.S.
Drg. No.	121
Rev.	