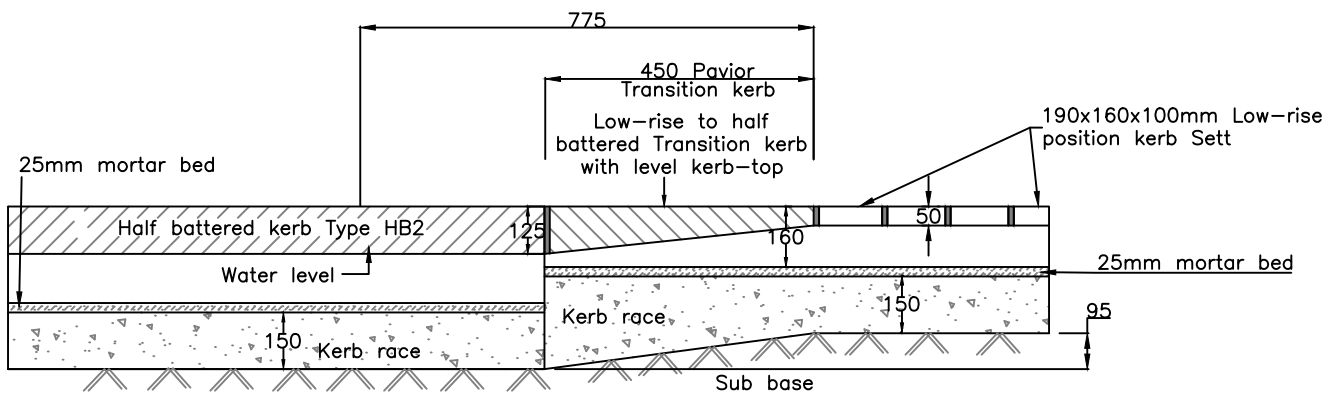
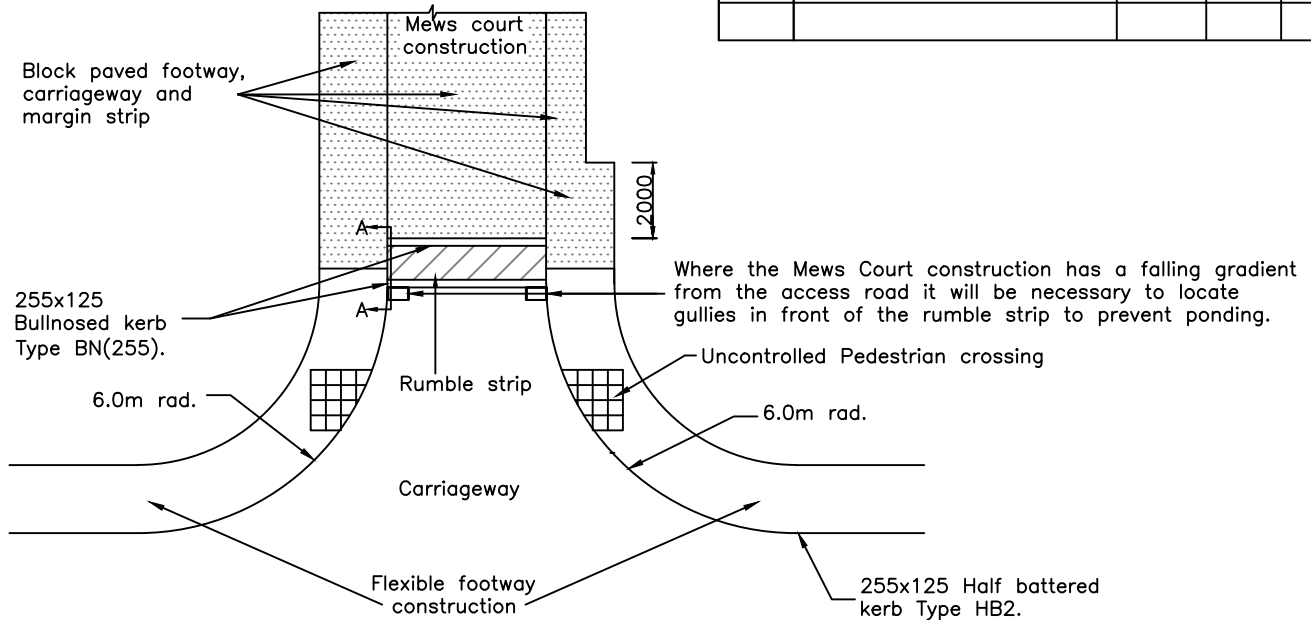
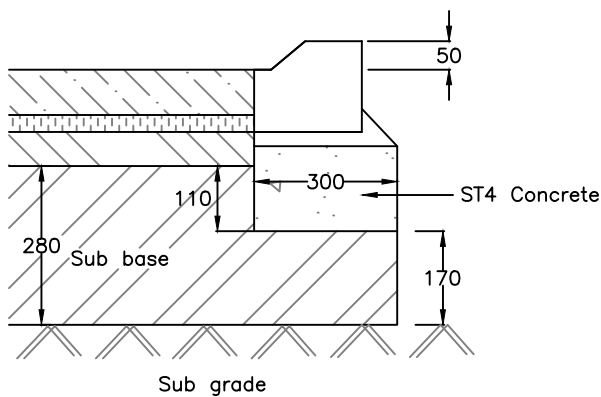


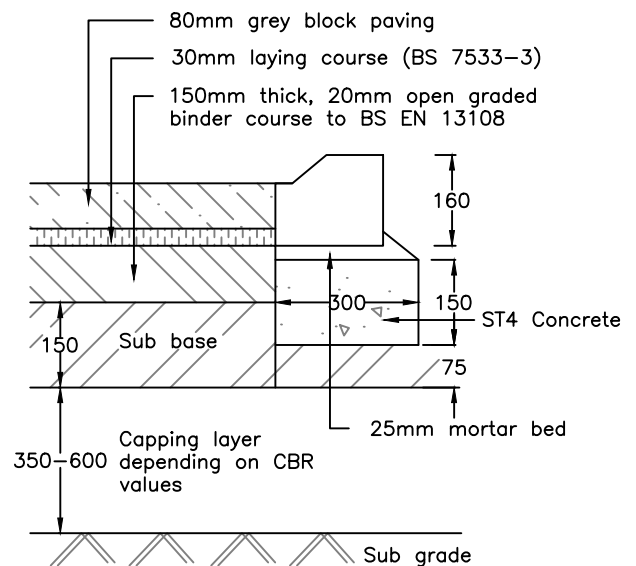
Rev.	Amendments	Date	Made By	Chk'd By



SECTION A-A



CONSTRUCTION WITH CBR > 5%



CONSTRUCTION WITH CBR < 5%

## MEWS COURT – KERBS

COMMON STANDARDS FOR WALES  
HIGHWAY DESIGN GUIDE

Drawn	MT
Checked	SZ
Date	Feb '20
Scale	N.T.S.
Drng. No.	122
Rev.	