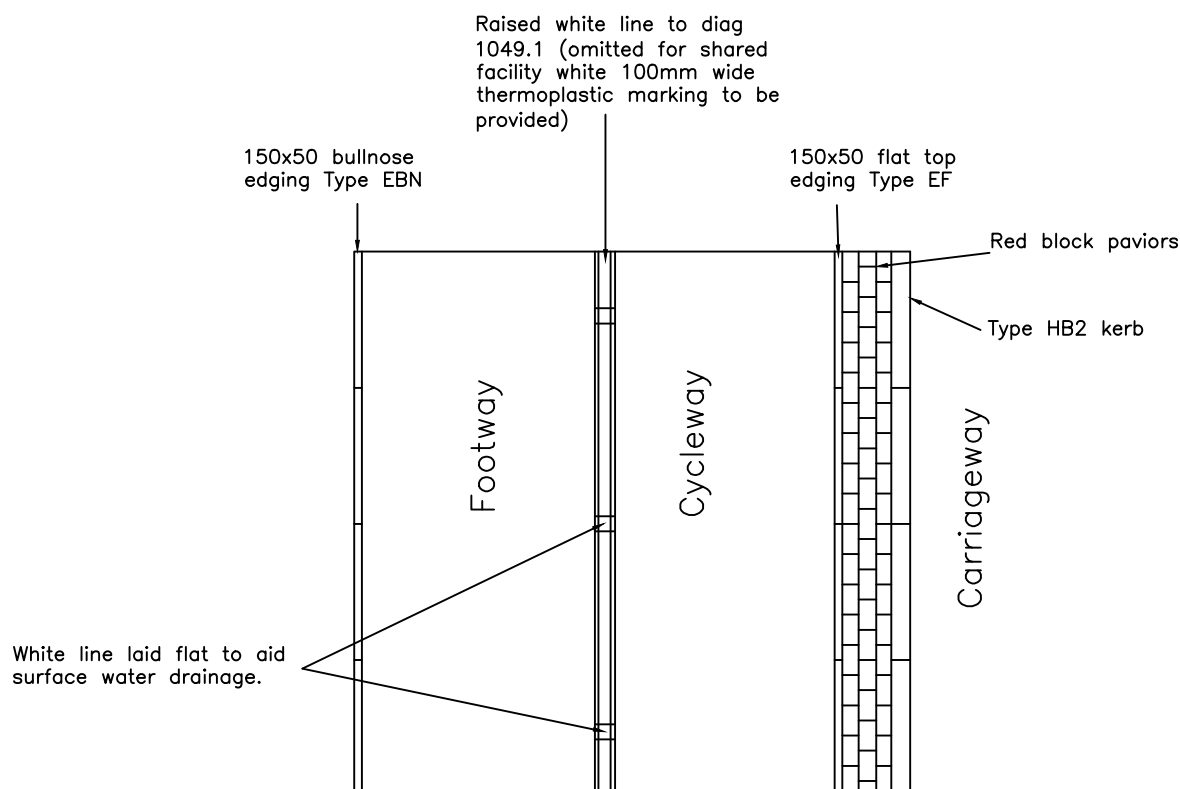
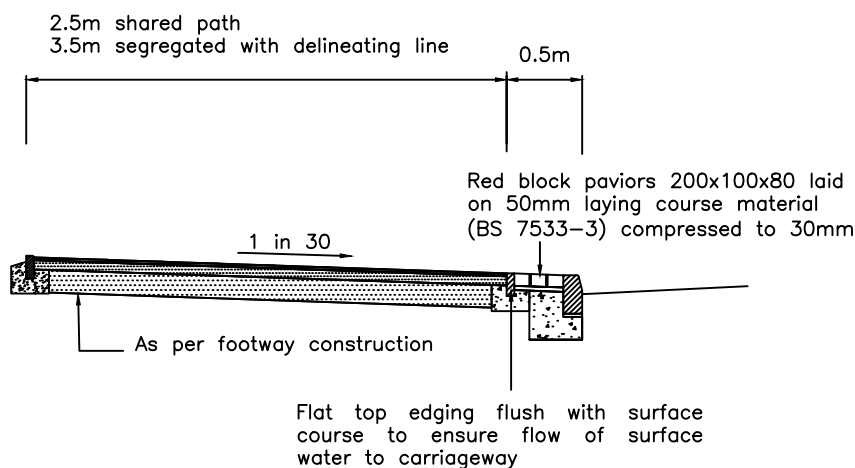


Rev.	Amendments	Date	Made By	Chk'd By



NOTES

1. Shared and segregated footway / cycleway facilities shall benefit from corduroy tactile paving and the appropriate signage as prescribed in the current TSRGD.
2. A shared footway and cyclepath shall be 3.0m wide consisting of a 2.5m path and a 0.5m margin strip.
3. If a segregated footway and cyclepath is used the overall width shall be increased to 4.0m to include a 1.75m footway, 1.75m cycleway and a 0.5m margin strip.
4. Construction details shall be as per footway construction.
5. Obstructions such as signs and lighting columns shall where possible be located outside of the cycleway.
6. Where solid lines or raised markings are provided small gaps must be provided at regular intervals to assist surface drainage.

SHARED AND SGREGATED FOOTWAY AND CYCLEWAY

COMMON STANDARDS FOR WALES HIGHWAY DESIGN GUIDE

Drawn	MT
Checked	SZ
Date	Feb '20
Scale	N.T.S.
Drg. No.	218
Rev.	