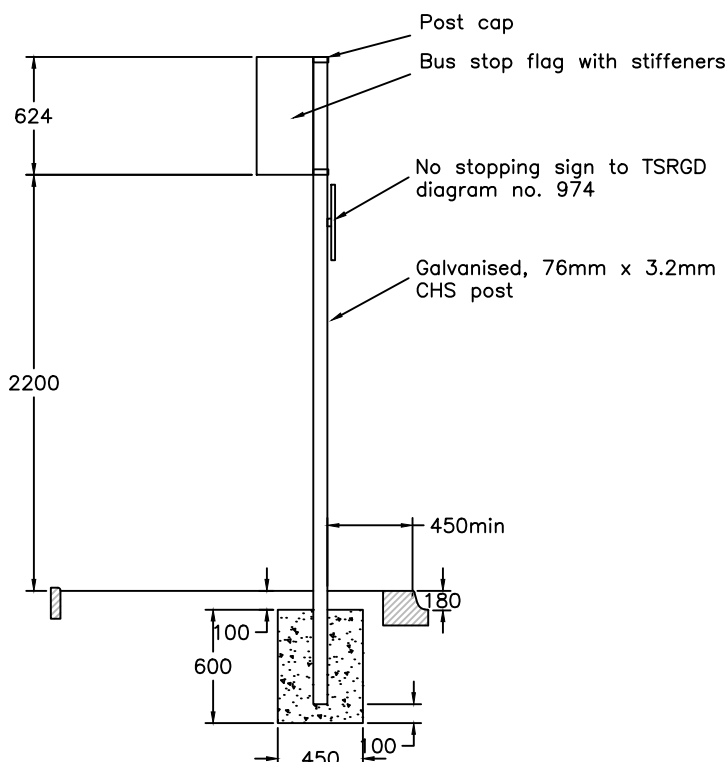
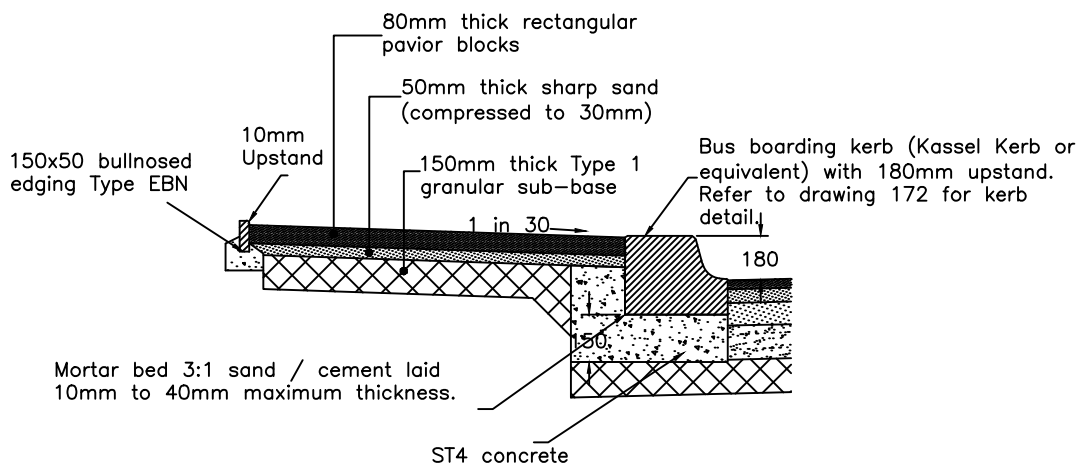


Rev.	Amendments	Date	Made By	Chk'd By



NOTES

1. The pattern of the red block shall be 90 degree herringbone 2.0m in length and 2.0m minimum in width and to be separated by from the flexible construction by 150x50 flat top edging Type EF
2. The cross fall shall be 1 in 30.
3. All blocks to be laid in accordance with B.S. 7533: Part 3:2005.
4. Minimum cut size of a block to be used must not be less than 1/3 of the blocks length.
5. Weed killer to be applied at formation level to the approval of the highway engineer.
6. All dimensions are in mm unless otherwise stated.

BUS STOP CONSTRUCTION

COMMON STANDARDS FOR WALES
HIGHWAY DESIGN GUIDE

Drawn	MT
Checked	SZ
Date	Feb '20
Scale	N.T.S.
Drg. No.	403
Rev.	