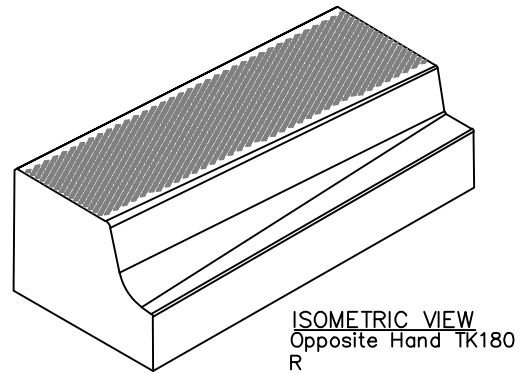
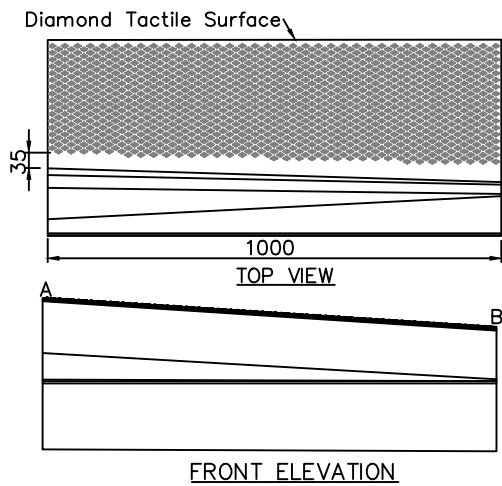
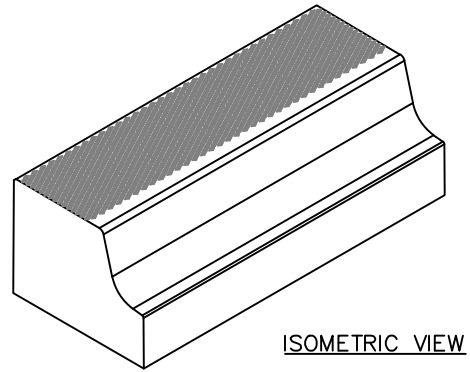
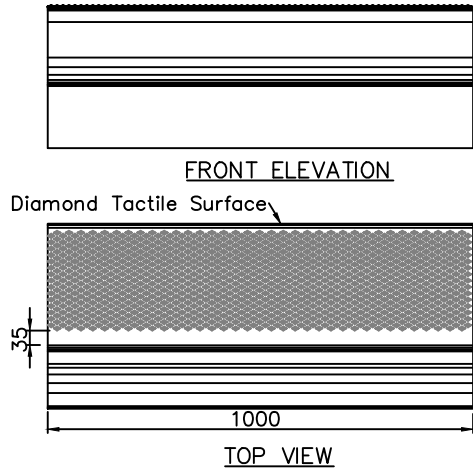
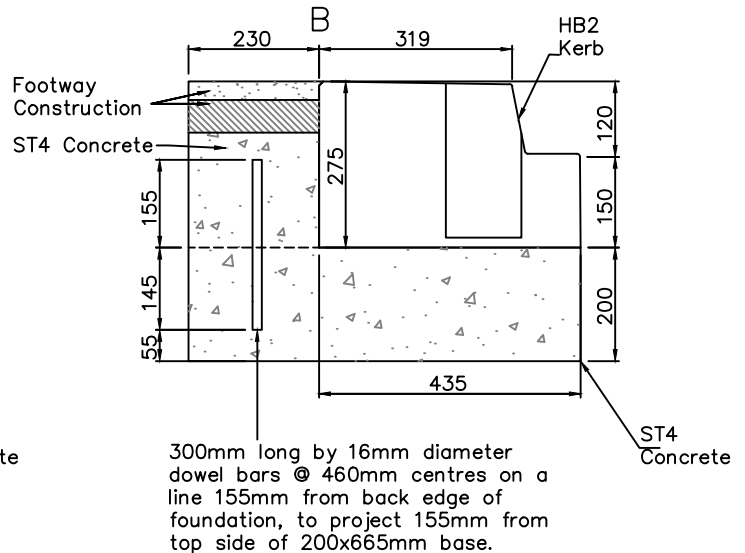
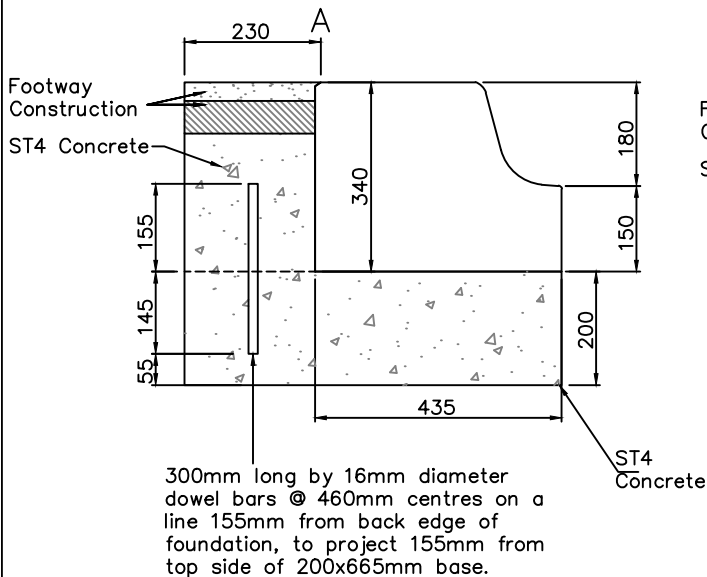


Rev.	Amendments	Date	Made By	Chk'd By



END VIEWS



NOTES

1. All dimensions are in millimetres unless otherwise stated.

KASSEL KERBING

COMMON STANDARDS FOR WALES
HIGHWAY DESIGN GUIDE

Drawn	MT
Checked	SZ
Date	Feb '20
Scale	N.T.S.
Drg. No.	410
Rev.	