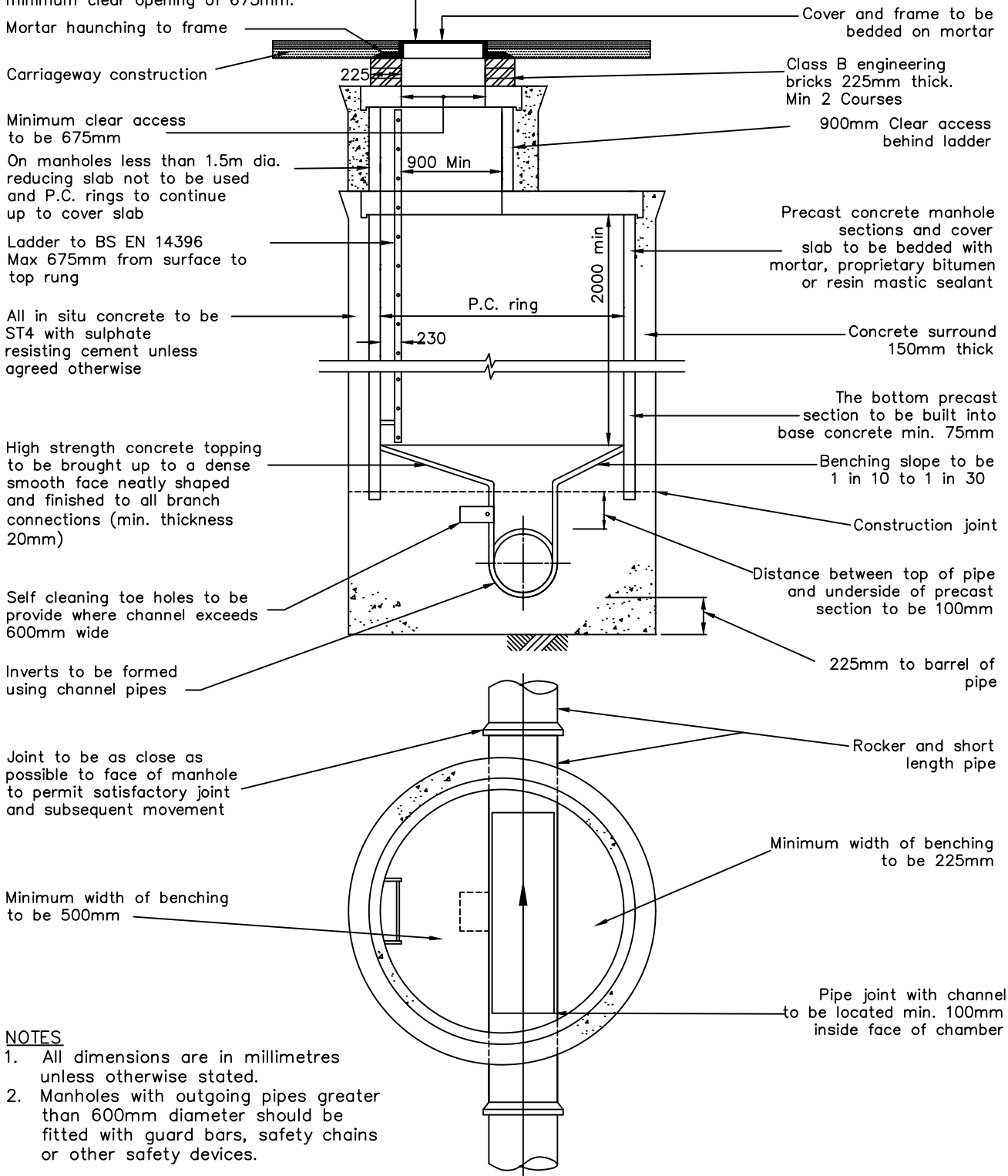


Rev.	Amendments	Date	Made By	Chk'd By

For all locations use double triangular 150mm depth cover and frame with minimum flange width of 75mm, to BS EN 124, D400 Kitemarked with a minimum clear opening of 675mm.



NOTES

1. All dimensions are in millimetres unless otherwise stated.
2. Manholes with outgoing pipes greater than 600mm diameter should be fitted with guard bars, safety chains or other safety devices.

MANHOLE DETAIL – TYPE A
Depth From Ground Level to Soffit of Pipe 3m to 6m

COMMON STANDARDS FOR WALES
HIGHWAY DESIGN GUIDE

Drawn	MT
Checked	SZ
Date	Feb '20
Scale	N.T.S.
Drg. No.	501
Rev.	