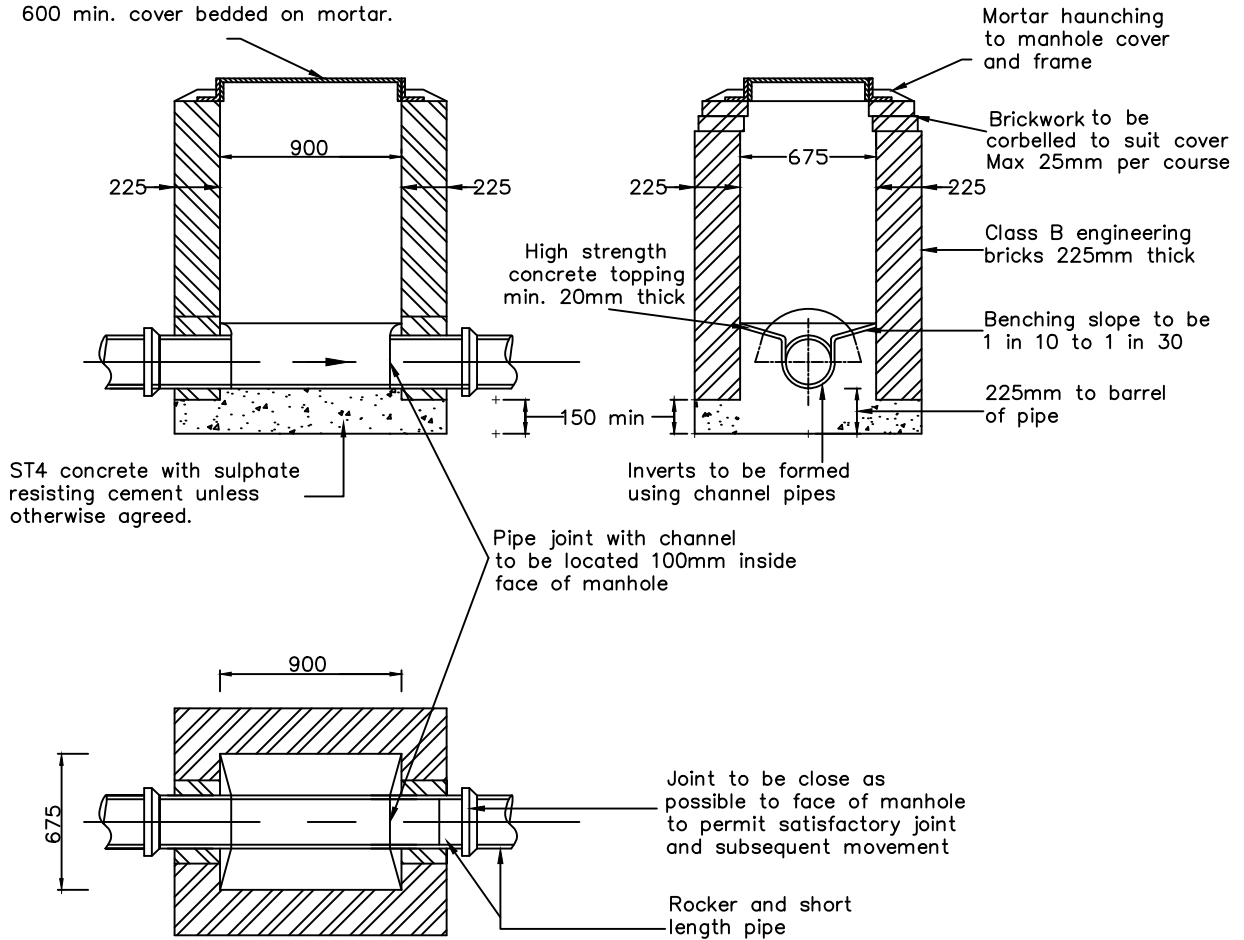


Rev.	Amendments	Date	Made By	Chk'd By

For all locations use double triangular 150mm depth cover and frame with minimum flange width of 75mm, to BS EN 124, D400 Kitemarked. 900 x 600 min. cover bedded on mortar.



NOTES

1. All dimensions are in millimetres unless otherwise stated.
2. Brickwork manholes should be a last case scenario. a Type F manhole will be considered as an alternative.
3. For Type D manholes, the internal dimensions are normally 900 x 675, but a manhole width should be increased for pipes larger than 225mm diameter to give 225mm benching each side of the pipe with the brickwork corbelled to suit the cover.

MANHOLE DETAIL – TYPE D
 Depth From Ground Level to Soffit of Pipe Less Than 1m

COMMON STANDARDS FOR WALES
 HIGHWAY DESIGN GUIDE

Drawn	MT
Checked	SZ
Date	Feb '20
Scale	N.T.S.
Drg. No.	504
Rev.	