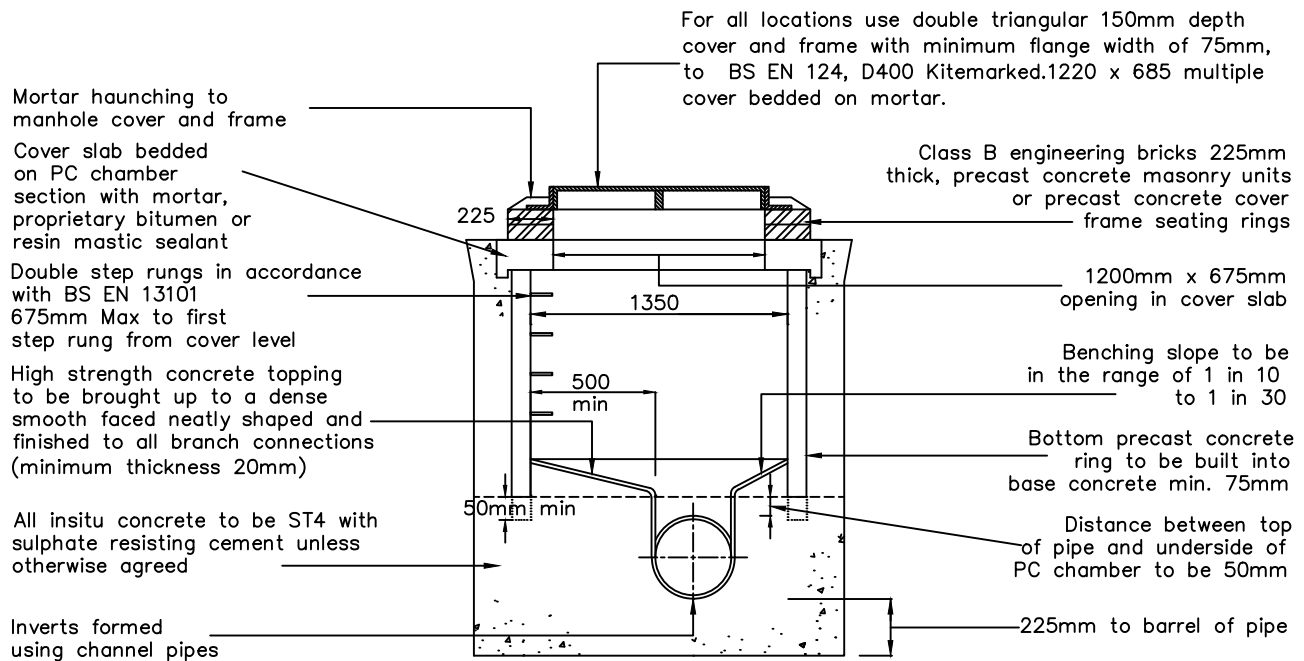
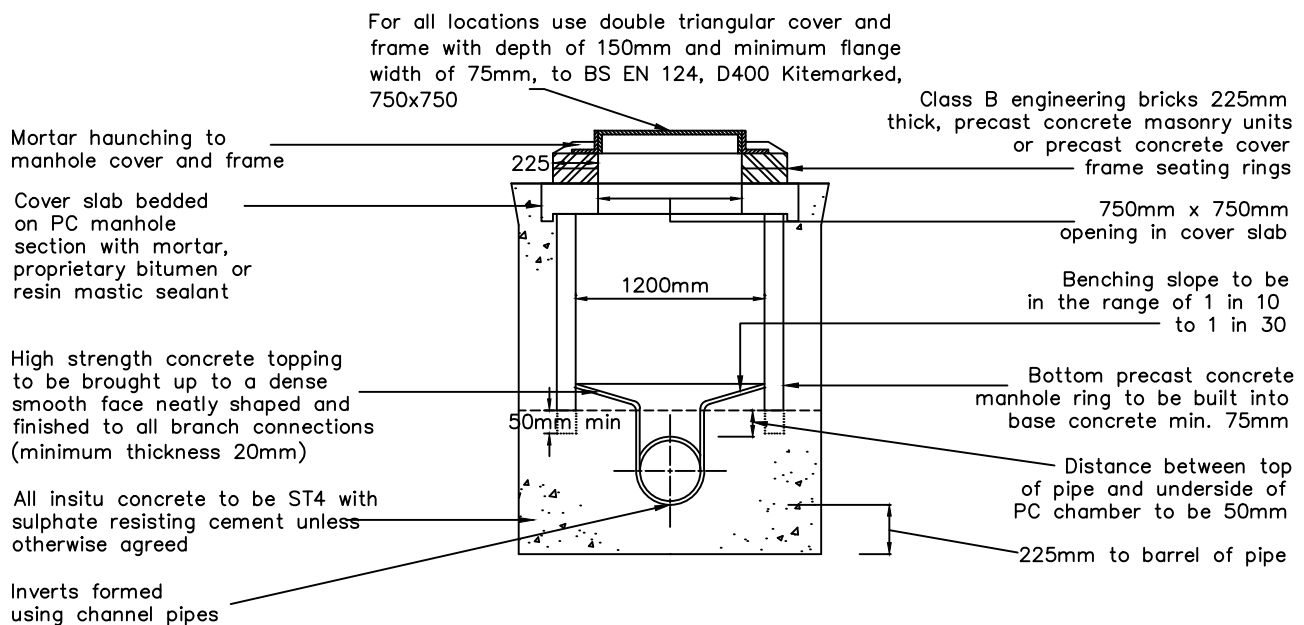


Rev.	Amendments	Date	Made By	Chk'd By

MANHOLE DETAIL – TYPE E
DEPTH FROM GROUND LEVEL TO SOFFIT OF PIPE 1.0m TO 1.45m



MANHOLE DETAIL – TYPE F
DEPTH FROM GROUND LEVEL TO SOFFIT OF PIPE LESS THAN 1.0m



NOTES

1. All dimensions are in millimetres unless otherwise stated

MANHOLE DETAIL – TYPES E & F

COMMON STANDARDS FOR WALES
HIGHWAY DESIGN GUIDE

Drawn	MT
Checked	SZ
Date	Feb '20
Scale	N.T.S.
Drg. No.	505
Rev.	