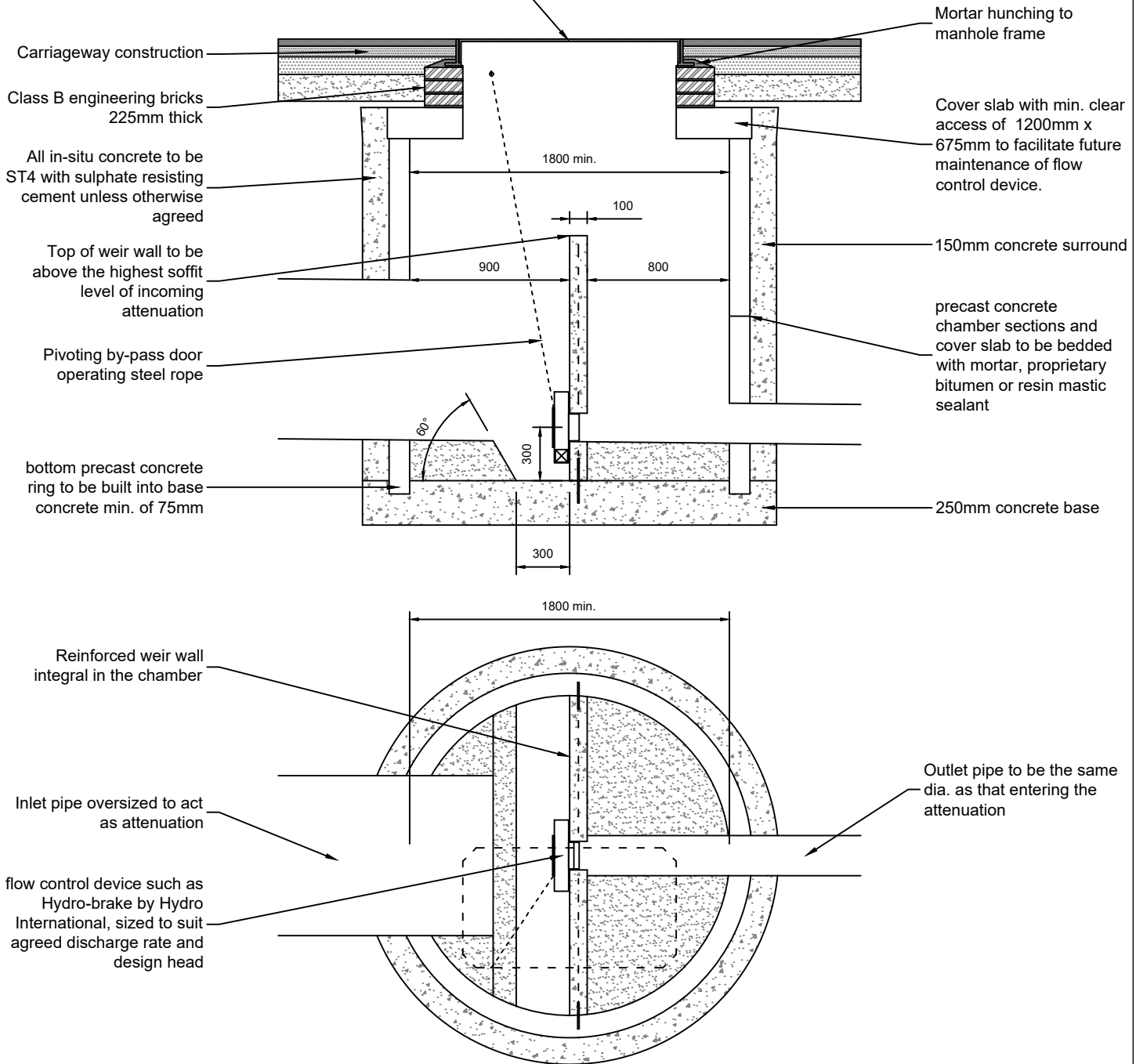


Rev.	Amendments	Date	Made By	Chk'd By

Double triangular 150mm depth cover and frame with minimum flange thickness of 75mm, to BS EN 124, D400 Kitemarked with a minimum clear opening of 1220 x 675mm, bedded on mortar.



**NOTES**

1. All dimensions are in mm unless stated otherwise
2. Chamber and integral weir wall must be reinforced concrete, and can be provided complete with Hydro-brake installed from Hydro International
3. Volume of flow control and size of attenuation to be agreed with the councils land drainage engineer
4. Manholes with outgoing pipes greater than 600mm dia. shall be fitted with guard bars, safety chains or other safety devices
5. This standard detail is indicative, a site specific detail must be produced indicating:
  - 5.a. The provision of the weir wall with top of wall level and tie-in to chamber walls
  - 5.b. Mounting height for flow control device
  - 5.c. Model and design head/flow rate of the flow control device
  - 5.d. Openings in cover slab to facilitate access for inspection and maintenance and removal/replacement of the flow control device

FLOW CONTROL CHAMBER WITH WEIR WALL

COMMON STANDARDS FOR WALES  
HIGHWAY DESIGN GUIDE

Drawn	MT
Checked	SZ
Date	Feb '20
Scale	N.T.S.
Drg. No.	506
Rev.	