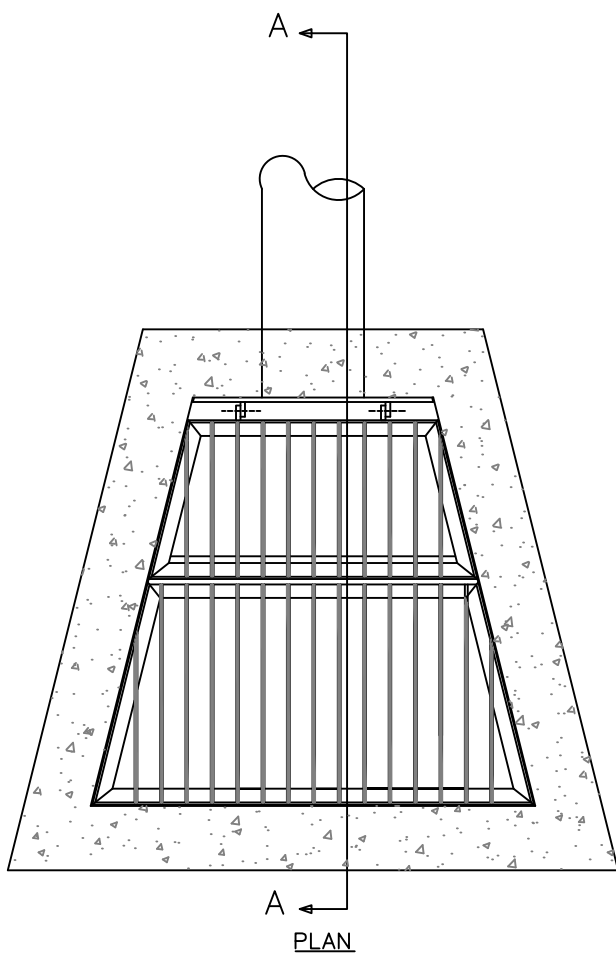
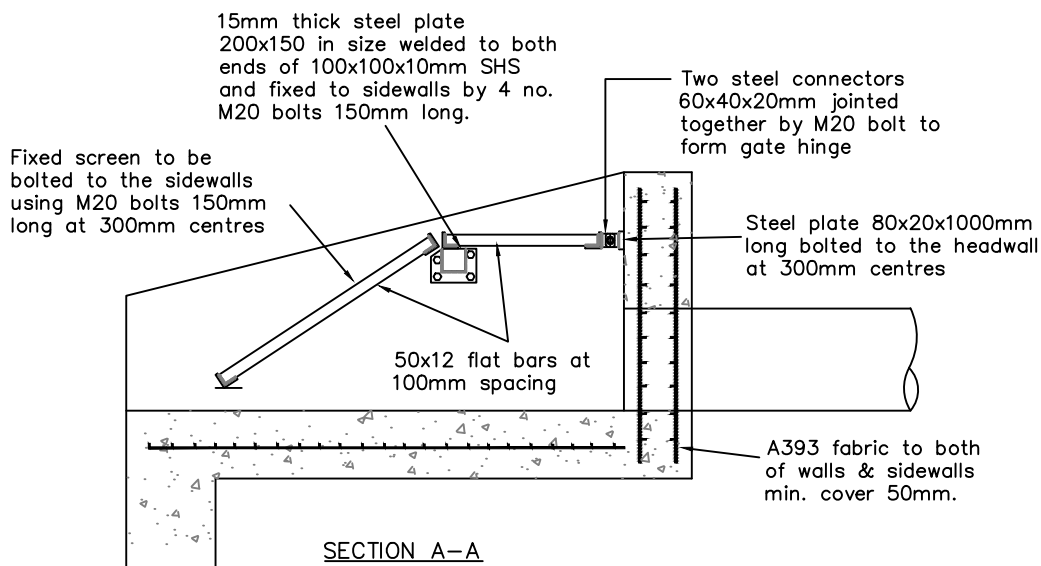


Rev.	Amendments	Date	Made By	Chk'd By



NOTES

1. The provision of a trash screen shall be on a site by site basis and subject to approval of Highway Authority.
2. Prior to any construction a consent from Natural Resources Wales and the Land Drainage Authority must be obtained regarding the proposals.
3. This screen design is designated to allow for small amount of debris equal to 30m³ collected per year. For medium amount of debris the screen area must be greater of seven times culvert area or 9m² and additional side support to be provided under the hinged screen.
4. The lower screen is to be fixed to the adjacent structure using M20 anchor bolts (Expansion Shell Type) 150mm long at 300mm centres
5. All screen frame is made up of steel angles 70x70x10mm jointed together with 6mm fillet weld and hot dip galvanised to BS EN ISO 1461.
6. The opening cover shall be hinged along the Headwall and secured at the RHS beam. A heavy duty padlock shall secure the cover.
7. All screen components shall be galvanised to comply with clause 1911.1. of the Specification for Highway Works (as amended).
8. All bars/struts shall be spaced at 100 mm centres. Vertical struts will be required along the top surface of the screen for ease of raking.
9. In-situ structural concrete to be Class 32/40 is to comply with appendix 17/1 of the Specification.
10. ST4 blinding concrete, 75mm thick, shall be used on the underside of the base slab and foundations.
11. All exposed inner formed faces shall be F2 finish the plinth chamfers shall be to F4 finish.



TRASH SCREEN

COMMON STANDARDS FOR WALES
HIGHWAY DESIGN GUIDE

Drawn	MT
Checked	SZ
Date	Feb '20
Scale	N.T.S.
Drg. No.	514
Rev.	