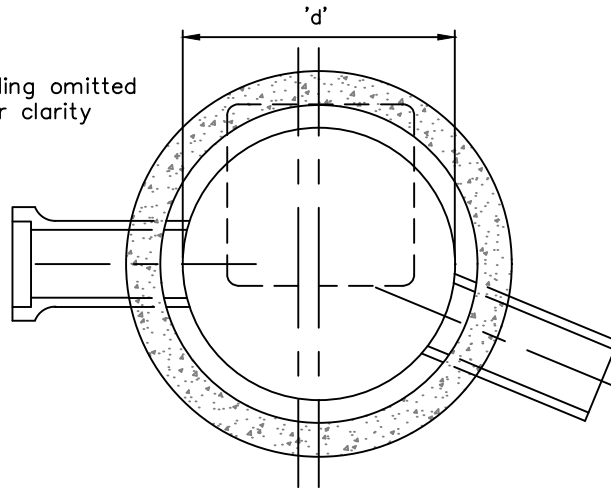


Rev.	Amendments	Date	Made By	Chk'd By

NOTE:
Class C bedding omitted from plan for clarity



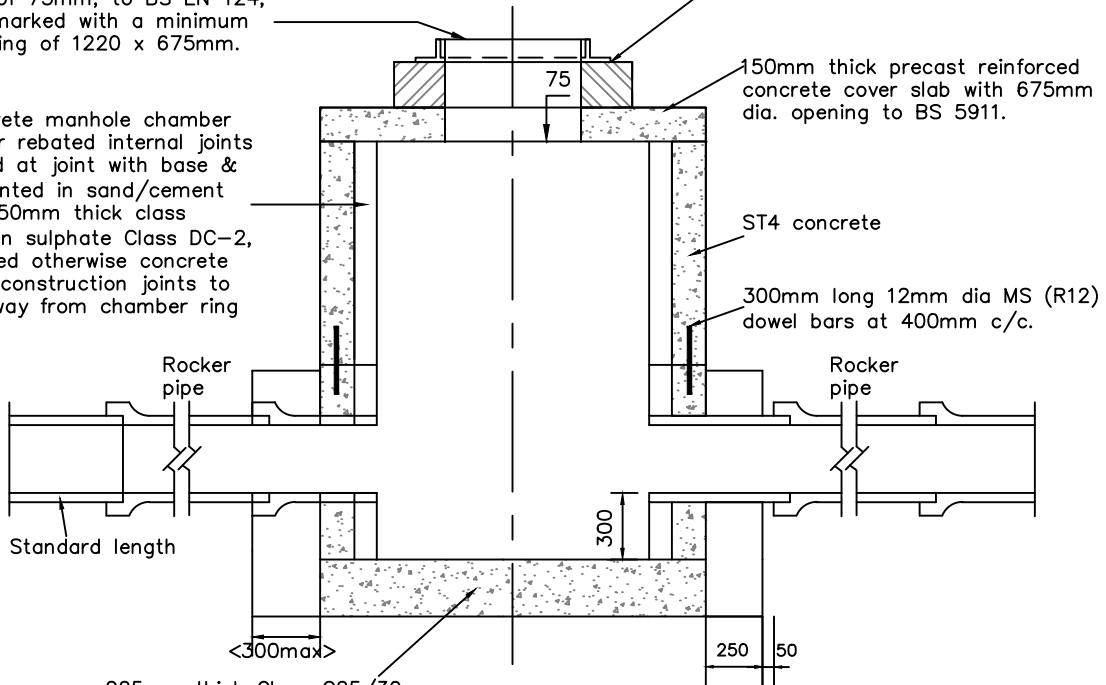
SECTION B-B

For all locations use double triangular cover and frame with minimum flange thickness of 75mm, to BS EN 124, D400 Kitemarked with a minimum clear opening of 1220 x 675mm.

225mm Class B engineering brickwork Maximum of 4 no courses Minimum of 2 no courses.

Precast concrete manhole chamber rings. Ogee or rebated internal joints with plain end at joint with base & cover slab jointed in sand/cement mortar 1:1, 150mm thick class C25/30 Design sulphate Class DC-2, unless specified otherwise concrete surround. All construction joints to be 150mm away from chamber ring joint.

150mm thick precast reinforced concrete cover slab with 675mm dia. opening to BS 5911.



225mm thick Class C25/30 Design sulphate Class DC-2, unless specified otherwise concrete base

SECTION A-A

NOTES

1. All dimensions are in millimetres unless otherwise stated.
2. Side inlets shall be connected at crown to crown level.

PRECAST CONCRETE CATCHPIT

COMMON STANDARDS FOR WALES
HIGHWAY DESIGN GUIDE

Drawn	MT
Checked	SZ
Date	Feb '20
Scale	N.T.S.
Drg. No.	516
Rev.	