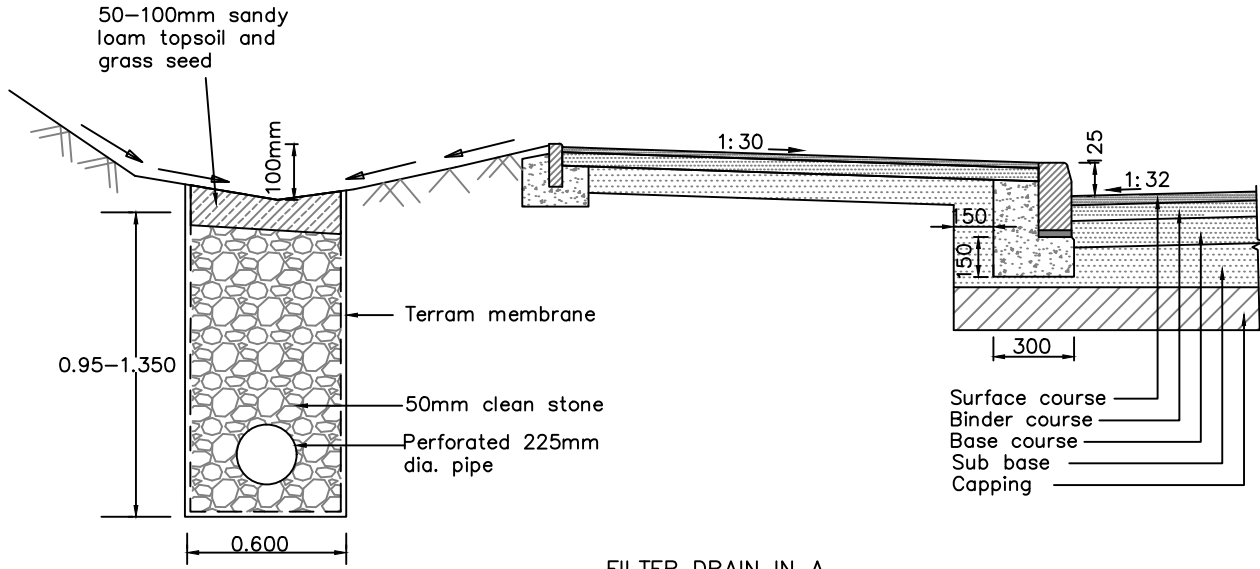
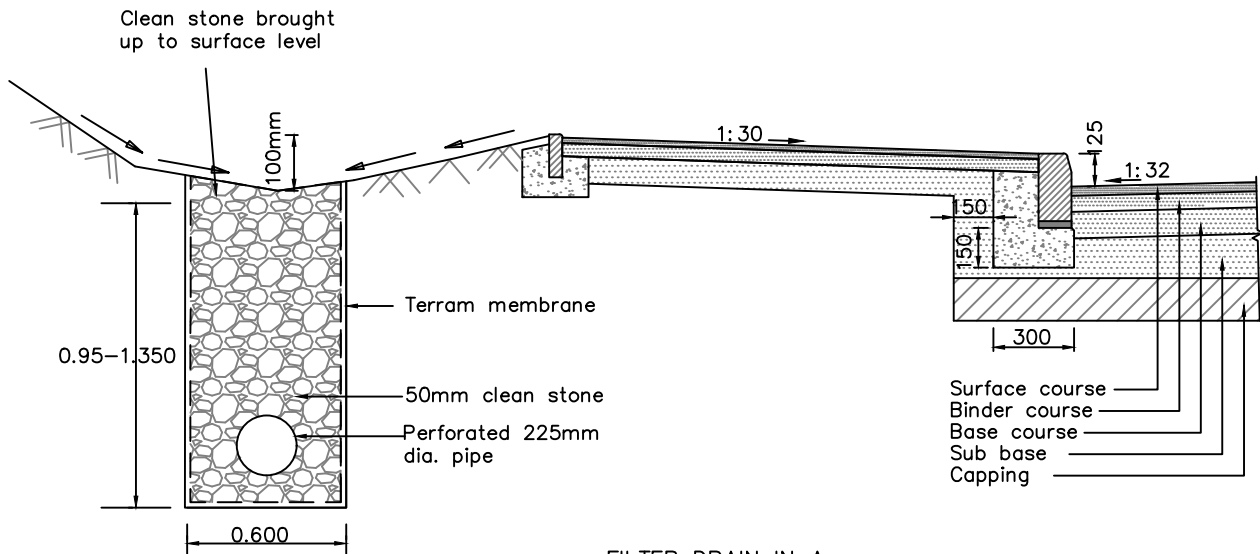


Rev.	Amendments	Date	Made By	Chk'd By



FILTER DRAIN IN A RESIDENTIAL LOCATION



FILTER DRAIN IN A RURAL LOCATION

NOTES

1. A positive drainage connection must be provided together with access chambers

FILTER DRAIN

COMMON STANDARDS FOR WALES
HIGHWAY DESIGN GUIDE

Drawn	MT
Checked	SZ
Date	Feb '20
Scale	N.T.S.
Drg. No.	218
Rev.	