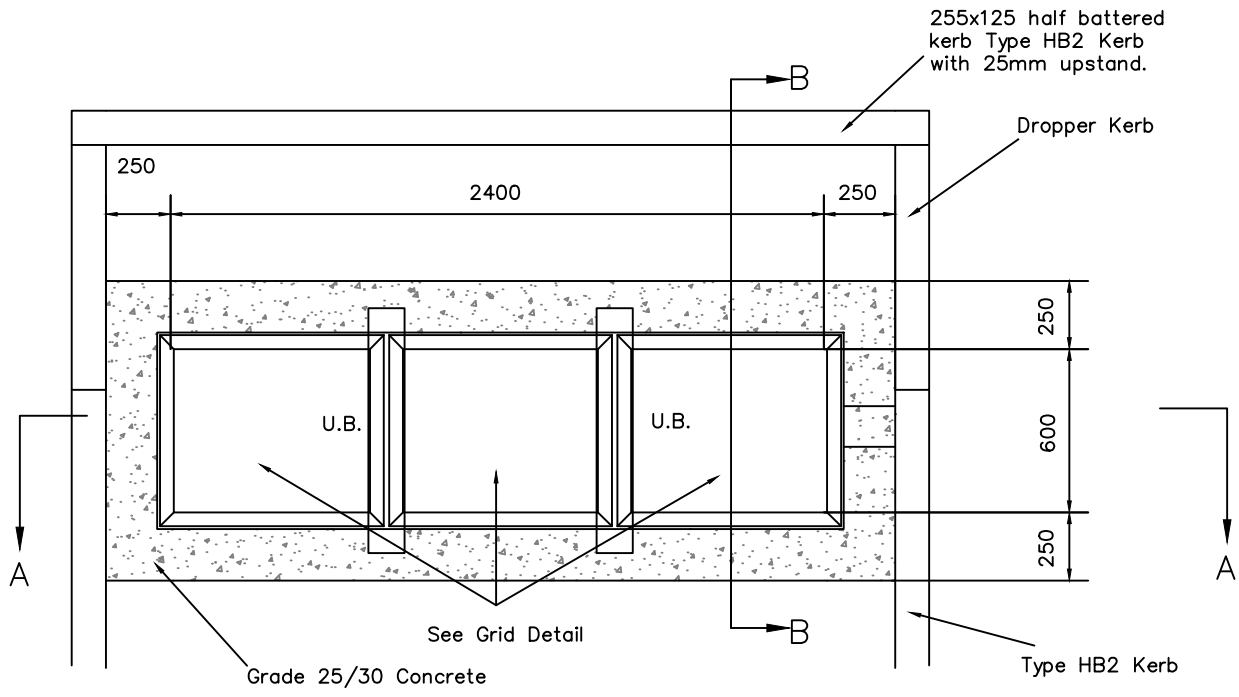
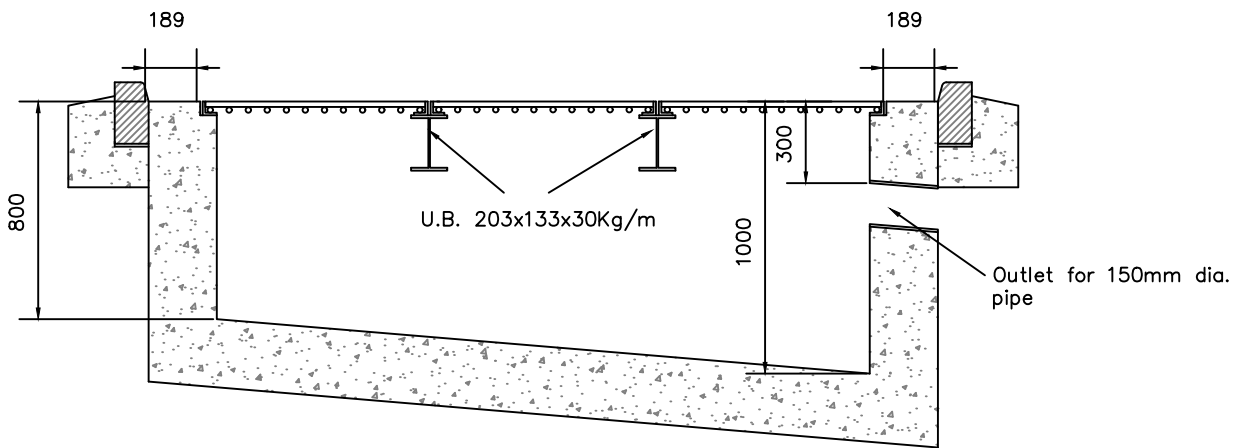


Rev.	Amendments	Date	Made By	Chk'd By



Plan



Section A-A

SLIT / GRAVEL TRAP

COMMON STANDARDS FOR WALES
HIGHWAY DESIGN GUIDE

Drawn	MT
Checked	SZ
Date	Feb '20
Scale	N.T.S.
Drg. No.	519
Rev.	